

Instructions for Component Video Sensor

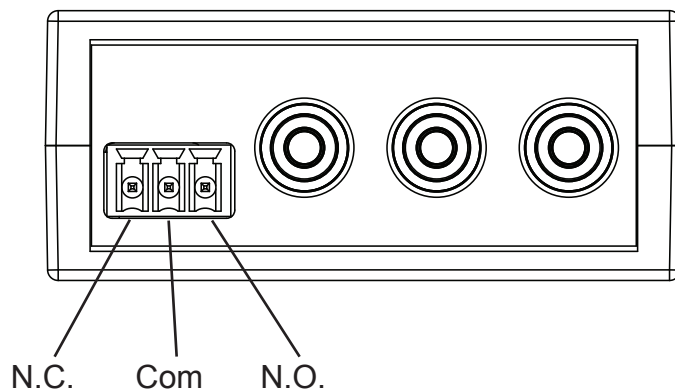
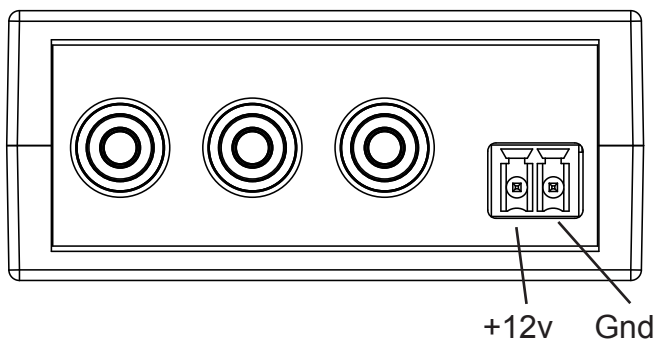
Input voltage : 12vdc @ 75mA

Output contact: NO, NC, and COM

Connectors: 2-position for power, 3-position for relay contacts

Attach 12 vdc to +12v and Gnd connections. Next attach to the COM for your common relay connection and either N.O. (normally open) or N.C. (normally closed) connections to the relay closure.

When the video sync signal is detected, the Video Sensor will close a contact between the COM and N.O. terminals. When a signal is NOT detected, terminals COM and N.C. will be connected.



Westminster, CO • 1-877-805-6639 • 303-410-6639

Instructions for Component Video Sensor

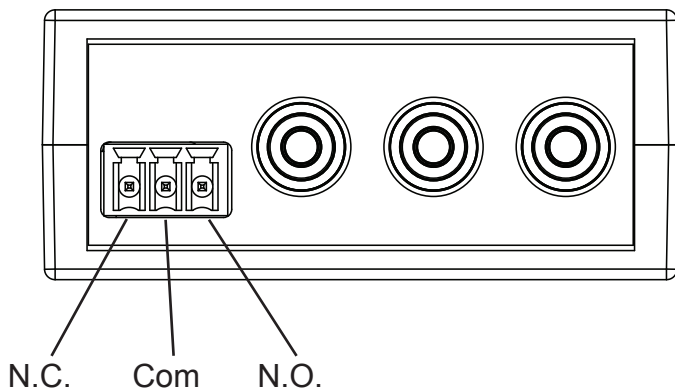
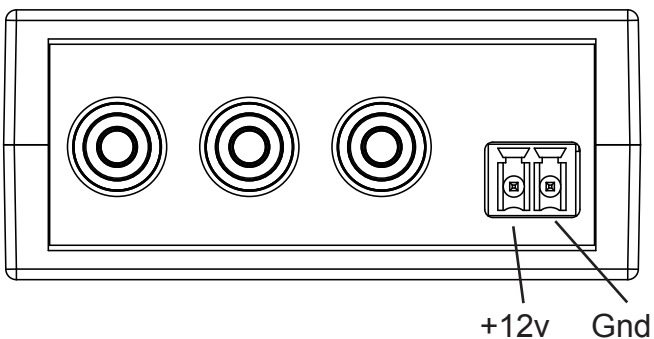
Input voltage : 12vdc @ 75mA

Output contact: NO, NC, and COM

Connectors: 2-position for power, 3-position for relay contacts

Attach 12 vdc to +12v and Gnd connections. Next attach to the COM for your common relay connection and either N.O. (normally open) or N.C. (normally closed) connections to the relay closure.

When the video sync signal is detected, the Video Sensor will close a contact between the COM and N.O. terminals. When a signal is NOT detected, terminals COM and N.C. will be connected.



Westminster, CO • 1-877-805-6639 • 303-410-6639