

VGA-2 Input Selector

The VGA-2 Input Selector provides professional RGBHV switching using HD-15 connections. The unit is designed to use readily available VGA extension cables from the sources and to the monitors or projectors.

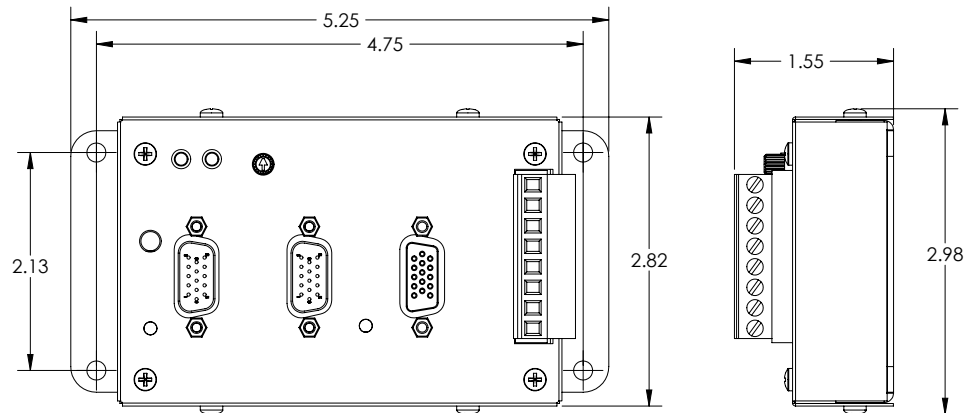
The unit features a 450MHz bandwidth to provide the absolute best quality picture even at the highest video resolutions.

The VGA-2 can operate in both manual selection mode or automatic signal detection mode.

In manual mode the VGA-2 can be switched by a dc voltage or infrared remote command. When the VGA-2 is outputting the B input a dc voltage is output on the terminal block.

In automatic mode the VGA-2 will detect and switch on the detection of a signal on the B input. When the signal is no longer detected the VGA-2 will switch back to the A input.

The VGA-2 will teach learning infrared remote systems their control commands through the teaching IR output. You will never lose the teaching remote.



Specifications:

Power: 12vdc 250mA wall transformer supplied

Bandwidth: 450MHz (-3dB)

Weight: 1lbs.

Warranty: 10 year limited

(c) copyright 2008 Avocation Systems, Inc.

All specifications subject to change without notice



10956 Ammons St.
Westminster, CO 80021
Ph: 303-410-6639 • 1-877-805-6639
www.avocationsystems.com