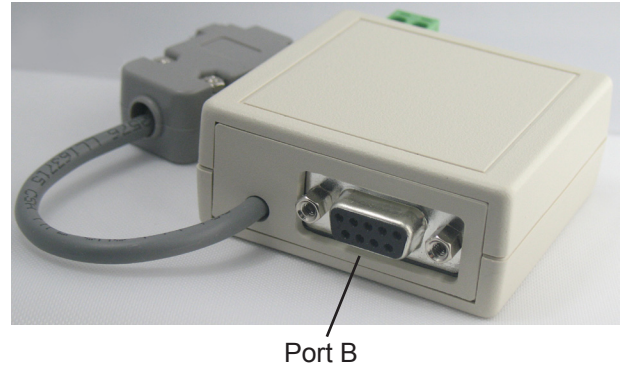
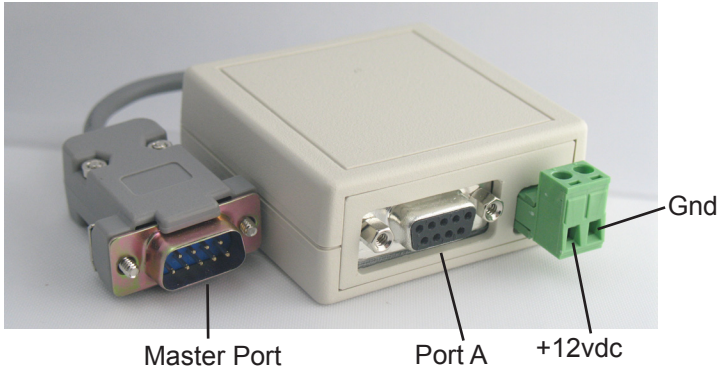


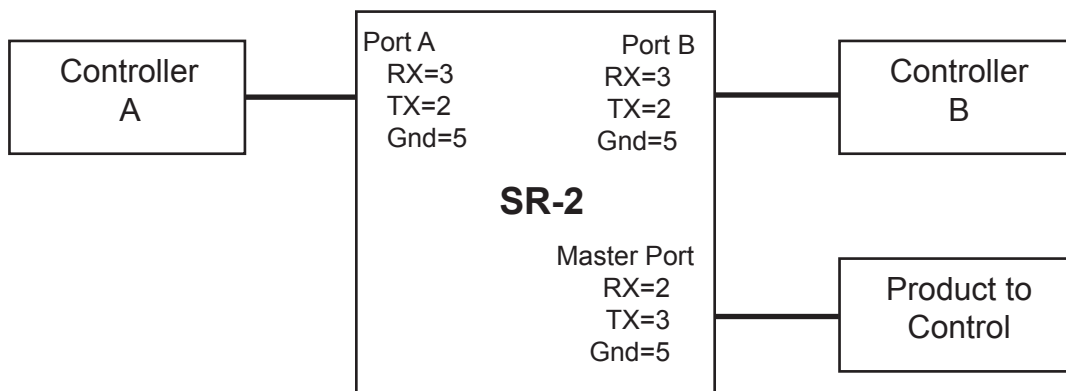
# SR-2 Instructions

The SR-2 allows two control systems to have access and control of a product with a single RS-232 port. Communications through Port A or Port B will be sent to the Master Port. When the product responds through the Master Port the communications will be sent to both Port A and Port B. Please note that the SR-2 only has RX, TX and Ground signals and is capable of transmissions speeds up to 460800 baud.



The following diagram shows the connector pins used for each of the SR-2 connections. A typical installation will use a modem cable (straight through connections) between the controller and the SR-2. The SR-2 Master Port is designed to connect directly into a modem port on a product to be controlled.

In the case where you need to control an Avocation Systems A/V Routing product the master port will need a null-modem adapter between the Master Port and the Avocation product.



10956 Ammons St.  
Westminster, CO 80021  
Ph: 303-410-6639 • 1-877-805-6639  
[www.avocationsystems.com](http://www.avocationsystems.com)